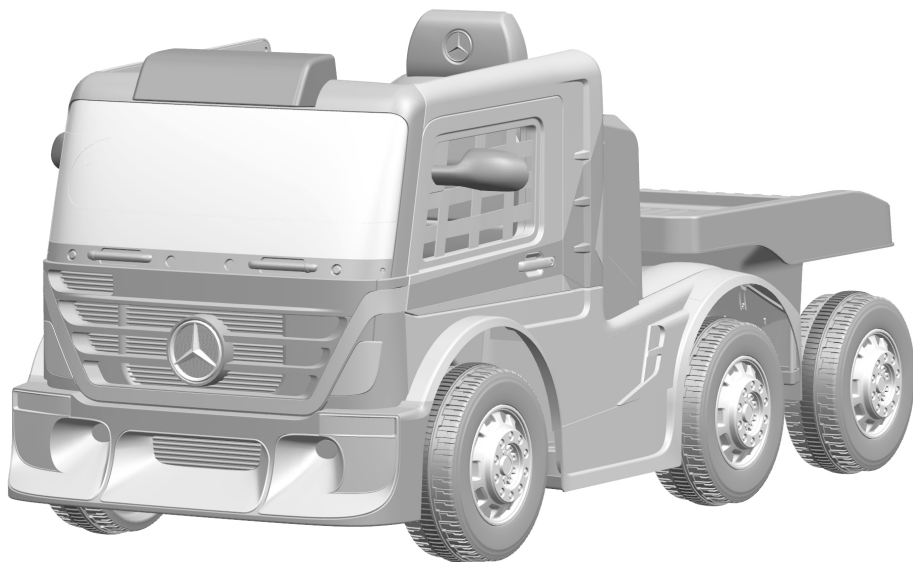


# Mercedes-Benz MB Axor

Licensed 12V Battery Powered Ride-on



## **WARNING:**

Must be assembled by an adult.

- Suitable for 3+ Years
- Maximum user weight: 30 kg

## **OWNERS MANUAL**

with Assembly Instructions

**Read and understand this entire manual before using!**

Please keep this manual for future reference as it contains important information. Before first time use, charge the battery for at least 4-6 hours, but no more than 10 hours.

“Mercedes-Benz”,  ,  and the design of the enclosed product are subject to intellectual property protection owned by Daimler AG. They are used by Pinghu City Xiao Ming Xing Children's Products CO.,LTD

## Specification

	2WD	4WD	4WD
<b>Battery</b>	12V7AH X1	12V10AH X1	12V7AH X2
<b>Charger input</b>	12V700-1000mA	12V1000mA	12V1500mA
<b>Motor</b>	550-12000 x2	550-12000 x2 or 380-7200 x2	550-12000 x2 or 380-7200 x2

- Suitable age:** 3+ Years
- Charge time:** 8~12 hours
- Load capacity:** Under 30 kg
- Size of car:v** 1430 x 720 x 670 mm
- Speed:** 3-8 km/h



## BATTERY INFORMATION

- Non-rechargeable batteries are not to be recharged.
- If removable rechargeable batteries are used, they are only to be charged under adult supervision.
- Remove rechargeable batteries from the product before charging.
- Do not mix old and new batteries. Do not mix different types of batteries: alkaline, standard (carbon-zinc) or rechargeable (nickel-cadmium).
- Insert batteries as indicated inside the battery compartment, anode to anode, cathode to cathode.
- Remove batteries during long periods of non-use. Always remove exhausted batteries from the product. Battery leakage and corrosion can damage this product. Dispose of batteries safely.
- Never short circuit the battery terminals.

## Parts List

2

NO.	PART NAME	Q'TY (PCS)	REMARK
1	Vehicle body	1	
2	Rear wheel	2	
3	Normal wheel	4	
4	Ø12 washer	6	
5	Ø10 washer	6	
6	Ø10 lock nut	6	
7	Wheel cover	6	
8	Front axle	1	
9	Rear axle	2	
10	Ø4x16 screw	19	
11	Steering wheel	1	
12	M5x38 machine screw	1	
13	M5 nut	1	
14	Door	2	left and right
15	Mirror	2	left and right
16	Windshield	1	
17	Seat back	1	
18	Seat	1	
19	Rear frame	1	
20	Bushing	2	
21	Trailer	1	
22	Ø8 washer	1	
23	Trailer cover	1	
24	Ø8 lock nut	1	
25	M8 Socket wrench	1	
26	M10 Socket wrench	2	
27	Charger	1	
28	Remote controller	1	

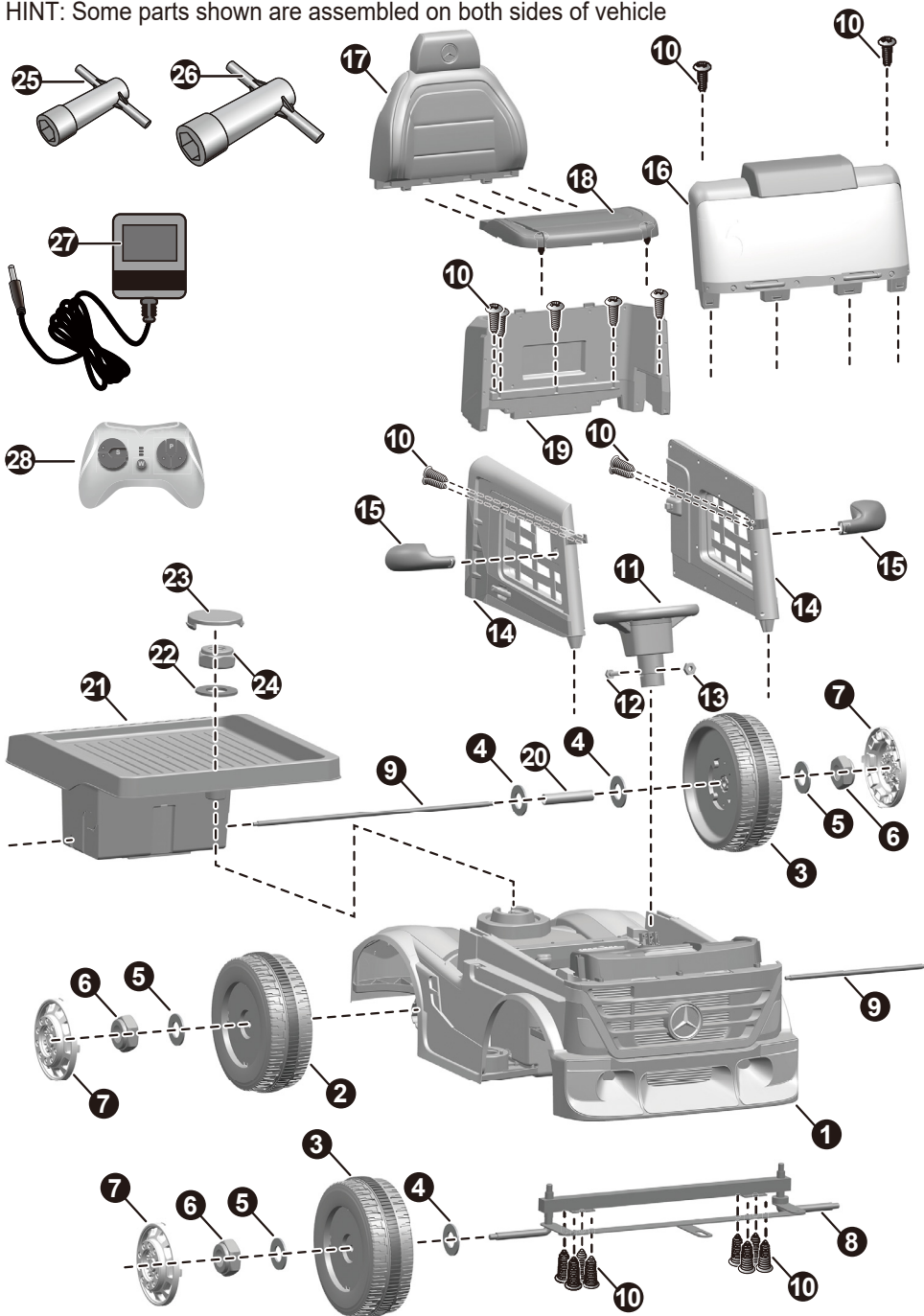
**Assembly tools required (not included):** Screwdriver



# Parts Diagram

3

HINT: Some parts shown are assembled on both sides of vehicle



**PREVENT INJURIES AND DEATHS:**

- **NEVER LEAVE CHILD UNATTENDED. ADULT DIRECT SUPERVISION IS REQUIRED. Always keep child in view when child is in vehicle.**
- This toy should be used with caution since skill is required to avoid falls or collisions causing injury to the user or third parties.
- Protective equipment should be worn.
- To reduce the risk of injury, adult supervision is required. Never use in roadways, near motor vehicles, on or near steep inclines or steps, swimming pools or other bodies of water, always wear shoes, and never allow more than 1 rider.
- Always wear shoes, always sit on the seat.
- Not to be used in traffic.
- This toy is unsuitable for children under 36 months due to its maximum speed; Maximum user weight is 30 kg.
- This toy has no brake.

**WARNING:**

- **CHOKING HAZARD! Not suitable for children under 36 months.**
- **Must be assembled by an adult.**

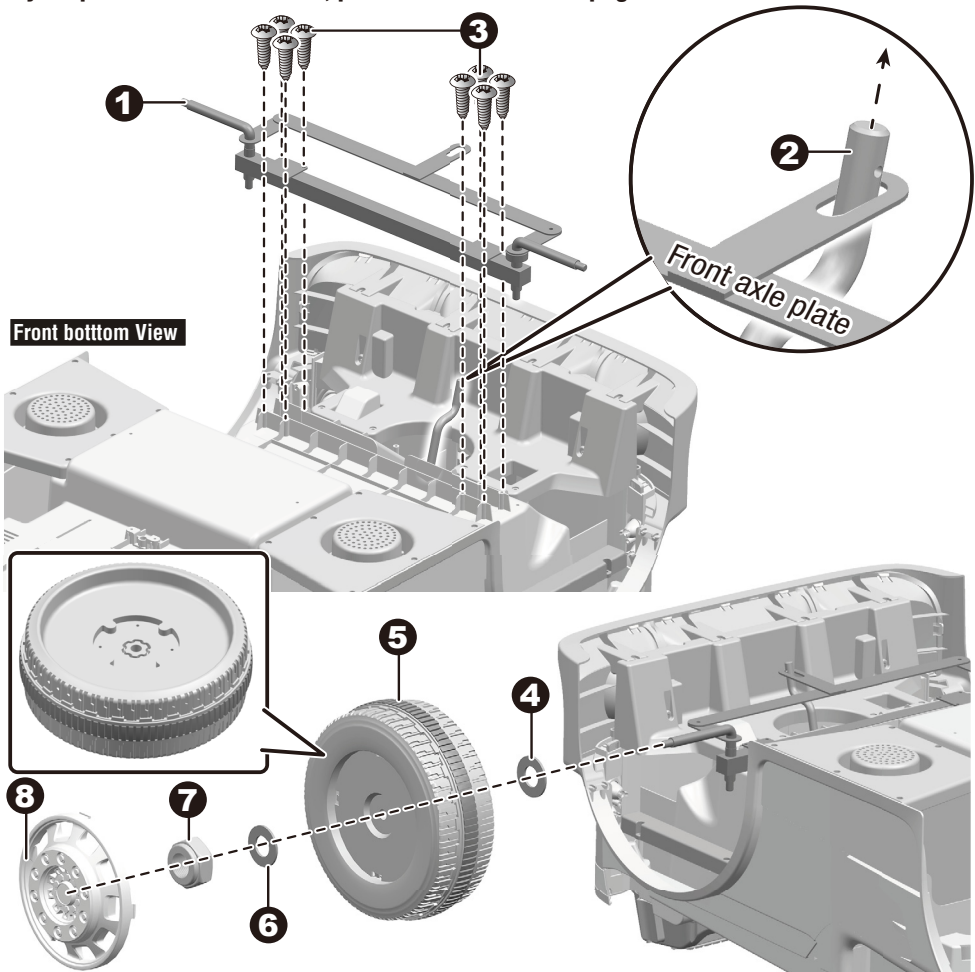
**Rules for Safe Riding**

- Keep Children within Safe Riding Areas.
- Use the toy only on flat surfaces. Such as inside your house, garden or playground.
- Never use in the dark. A child could encounter unexpected obstacles and have an accident. Operate the vehicle only in the daytime or a well-lit area.
- It is prohibited to change the circuit or add other electric parts
- Inspect wires and connections of the vehicle periodically.
- Do not let any child touch the wheels or be near them when the car is moving .
- This vehicle has adjustable play seat belts. Please instruct children how to tie the safety belt before using, guarantee the security.

## Attach the Front Wheels for 2WD

5

If your product is 4WD version, please refer to the next page.



1-3. Cut off the plastic tie on the front axle with scissors. Fit the front axle to the vehicle body as shown. Ensure the bent end of the steering column passes through the hole in the front axle plate. Tighten eight  $\text{\O}4 \times 16$  screws with a screwdriver to secure the front axle to the vehicle body.

4. Slide the  $\text{\O}12$  washer onto the front axle.

5. Slide the normal wheel onto the front axle.

6. Slide the  $\text{\O}10$  washer onto the front axle.

7. Tighten a  $\text{\O}10$  lock nut to the end of the front axle with a socket wrench.

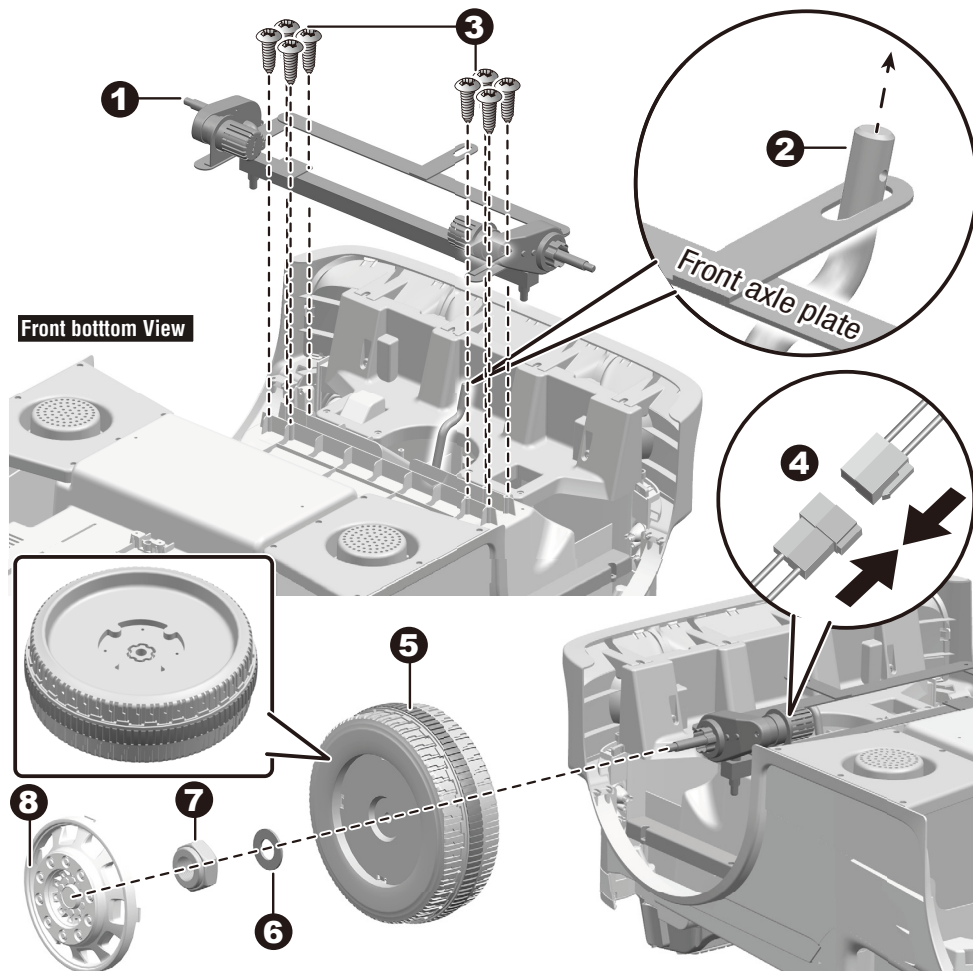
8. Fit the hub cap to the front wheel.

Repeat steps 4-8 to assemble another front wheel.

## Attach the Front Wheels for 4WD

6

If your product is 2WD version, please refer to the previous page.



1-3. Cut off the plastic tie on the front axle with scissors. Fit the front axle to the vehicle body as shown. Ensure the bent end of the steering column passes through the hole in the front axle plate. Tighten eight  $\text{\O}4 \times 16$  screws with a screwdriver to secure the front axle to the vehicle body.

4. Plug the connector from the front gear box into the connector on the vehicle body.

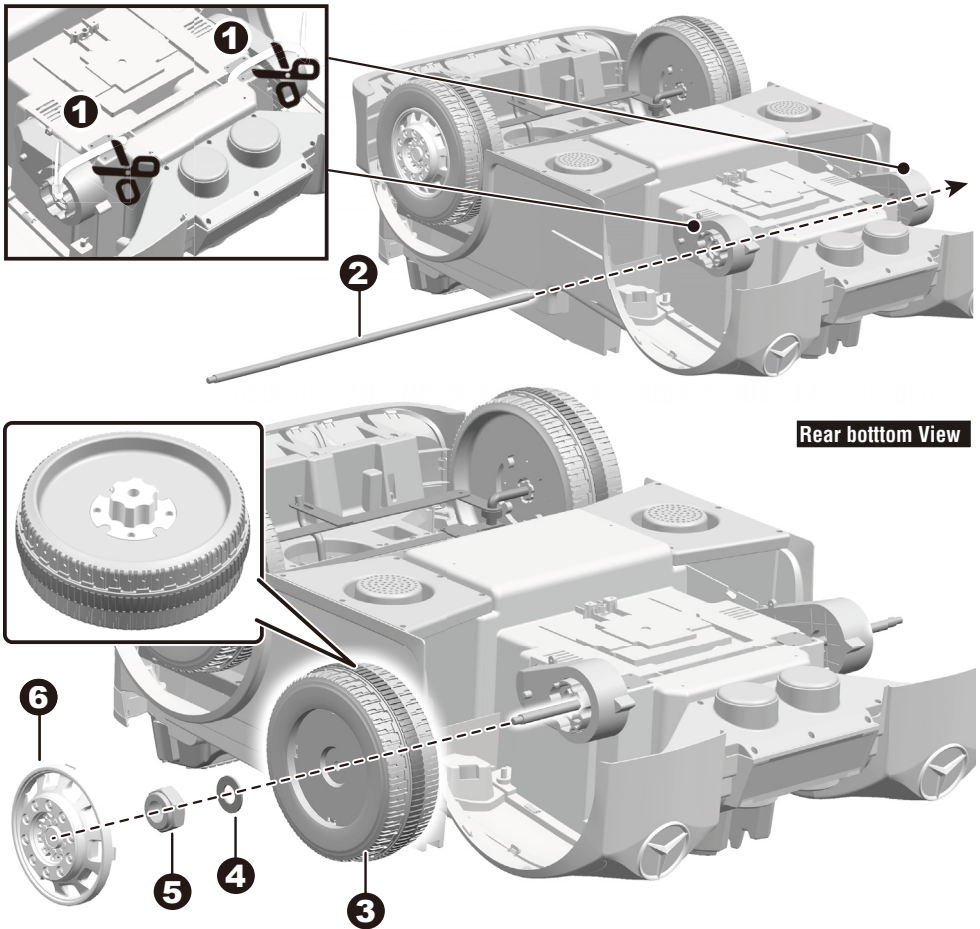
5. Slide the normal wheel onto the front axle.

6. Slide the  $\text{\O}10$  washer onto the front axle.

7. Tighten  $\text{\O}10$  a lock nut to the end of the front axle with a socket wrench.

8. Fit the hub cap to the front wheel.

Repeat steps 4-8 to assemble another front wheel.



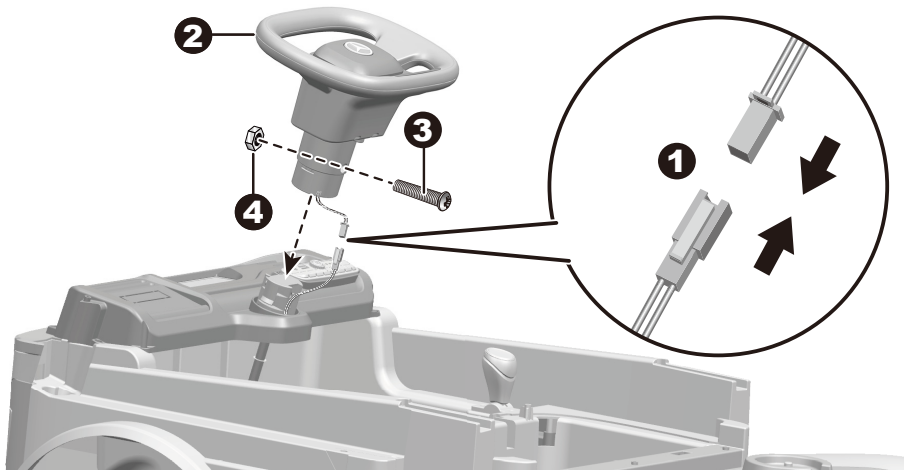
1. Cut off the plastic tie on the both rear gear boxes with scissors.
2. Insert the rear axle into the hole on the rear of the vehicle body.
3. Slide the driving wheel onto the rear axle.
4. Slide the  $\varnothing 10$  washer onto the rear axle.
5. Tighten a  $\varnothing 10$  lock nut to the end of the rear axle with a socket wrench.

Repeat the steps 3-5 to assemble the other Driving Wheel.

**TIP:** An extra socket wrench has been provided to hold the Lock Nut on the other side of the rear axle while tightening the Lock Nut on the other side.

6. Fit the wheel covers to the driving wheels.

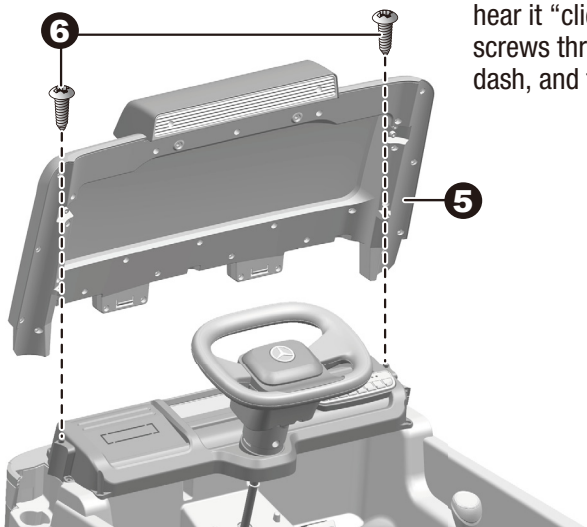


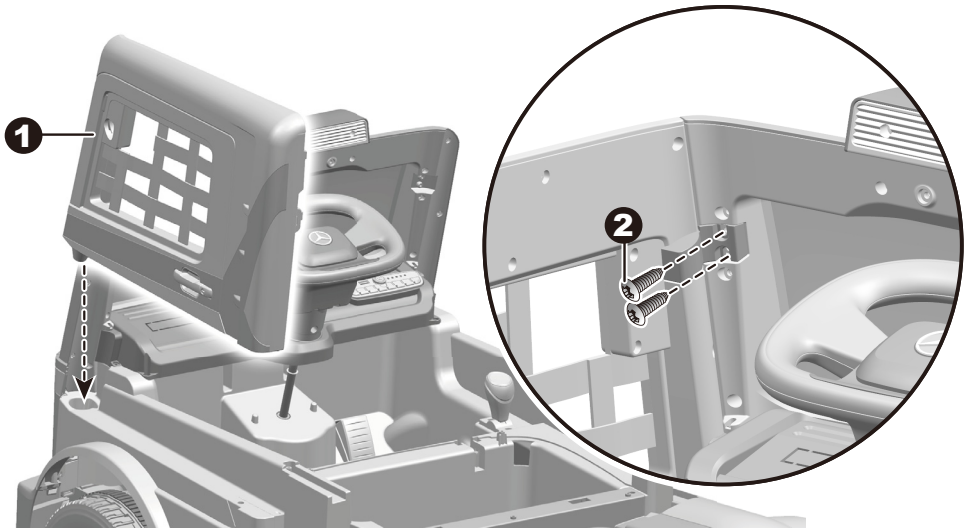


Turn the vehicle body upright.

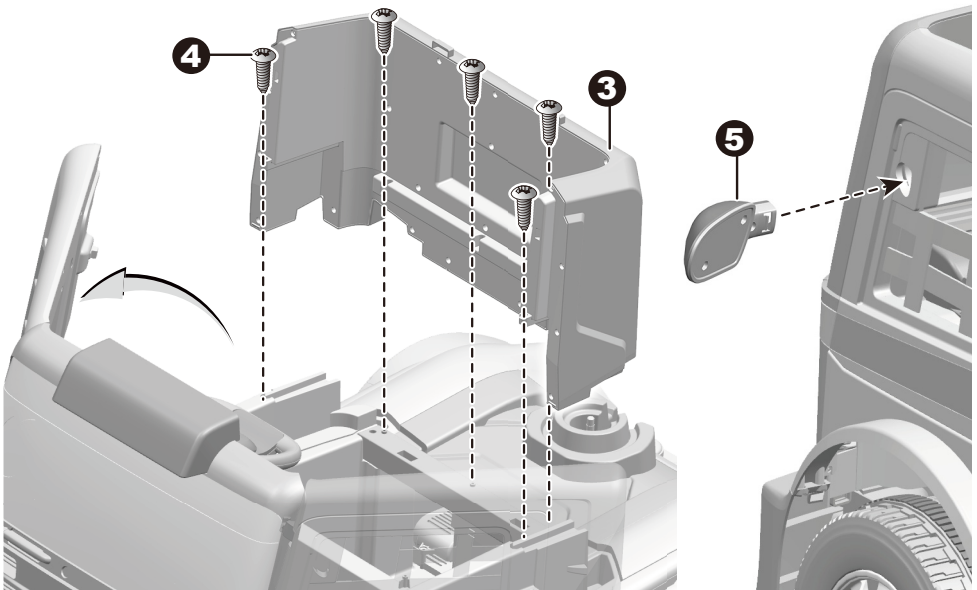
1. Plug the sound unit connector on the steering wheel into the connector on the vehicle body.
2. Fit the steering wheel to the end of the steering column.
3. Line up the holes on the steering wheel with the holes on the steering column, insert the M5x38 machine screw.
4. Fasten a nut on the opposite end of the screw with a screwdriver.

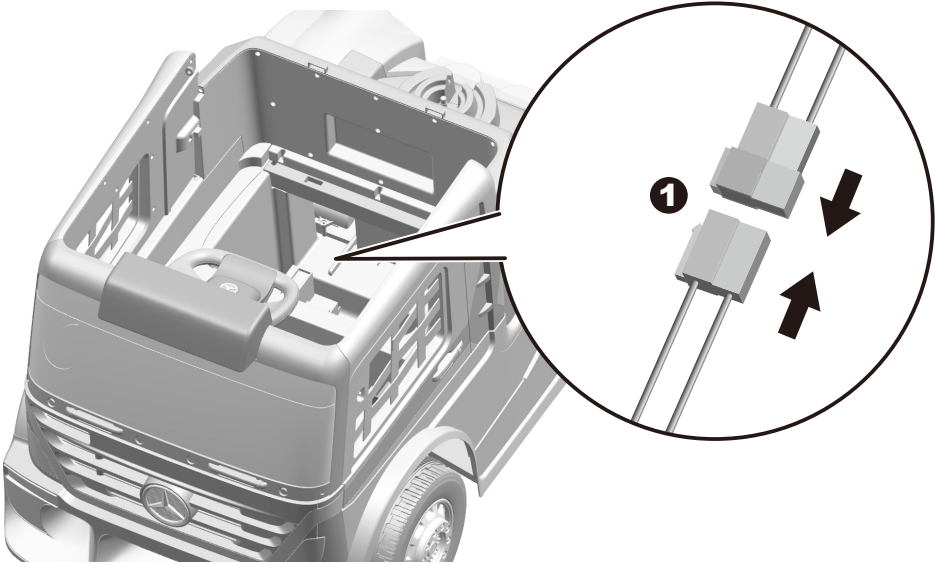
5-6. Insert the tabs on the windshield into the grooves on the vehicle body, push until you hear it “click” into place. Insert two  $\varnothing 4 \times 16$  screws through the windshield and into the dash, and tighten with a screwdriver.



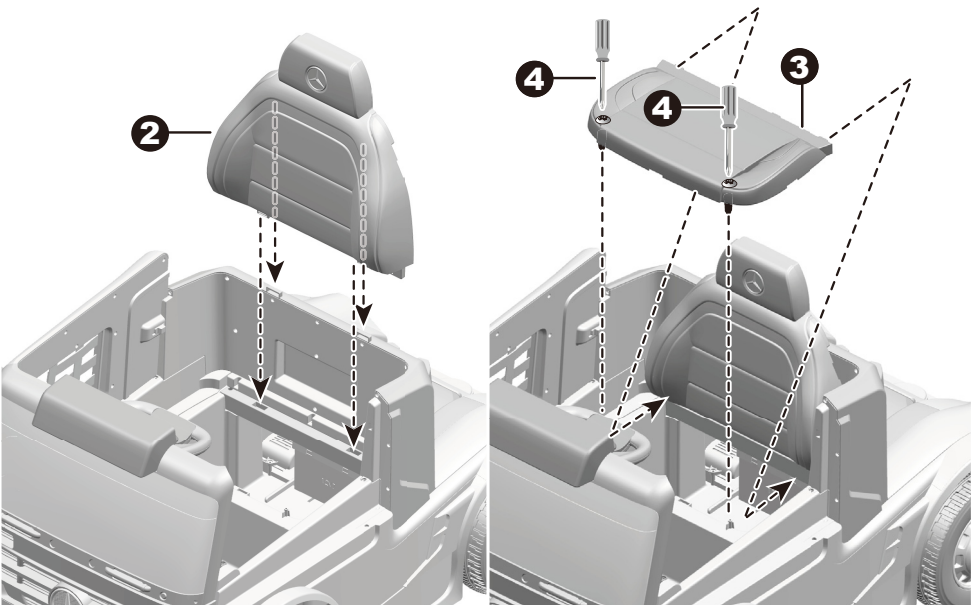


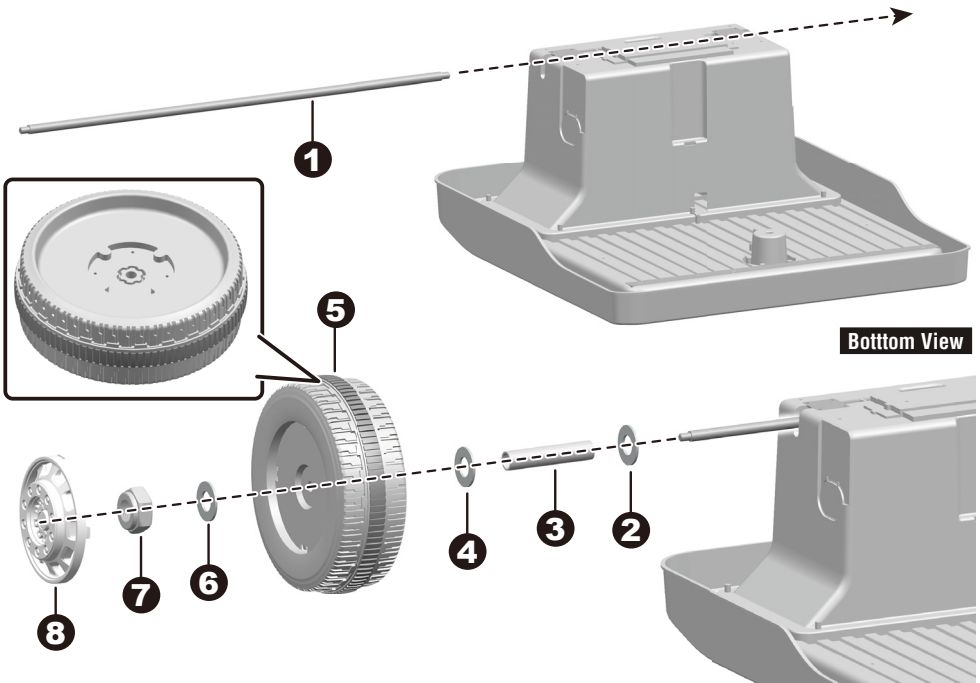
- 1-2. Fit the door (R) to the vehicle body. Insert two  $\text{\O}4 \times 16$  screws through the grooves on the door hinge and into the windshield. Repeat for the other door.
3. Open the both doors. Fit the seat board the vehicle body
4. Tighten five  $\text{\O}4 \times 16$  screws with a screwdriver.
5. Insert the both mirrors to the holes in the both doors.





1. Plug the connector from the vehicle body into the connector on the battery.
2. Fit the seat back to the vehicle body.
3. Fit the seat to the vehicle body.
4. Tighten the two  $\text{\O}4\times16$  screws on the both side of the seat with a screwdriver.



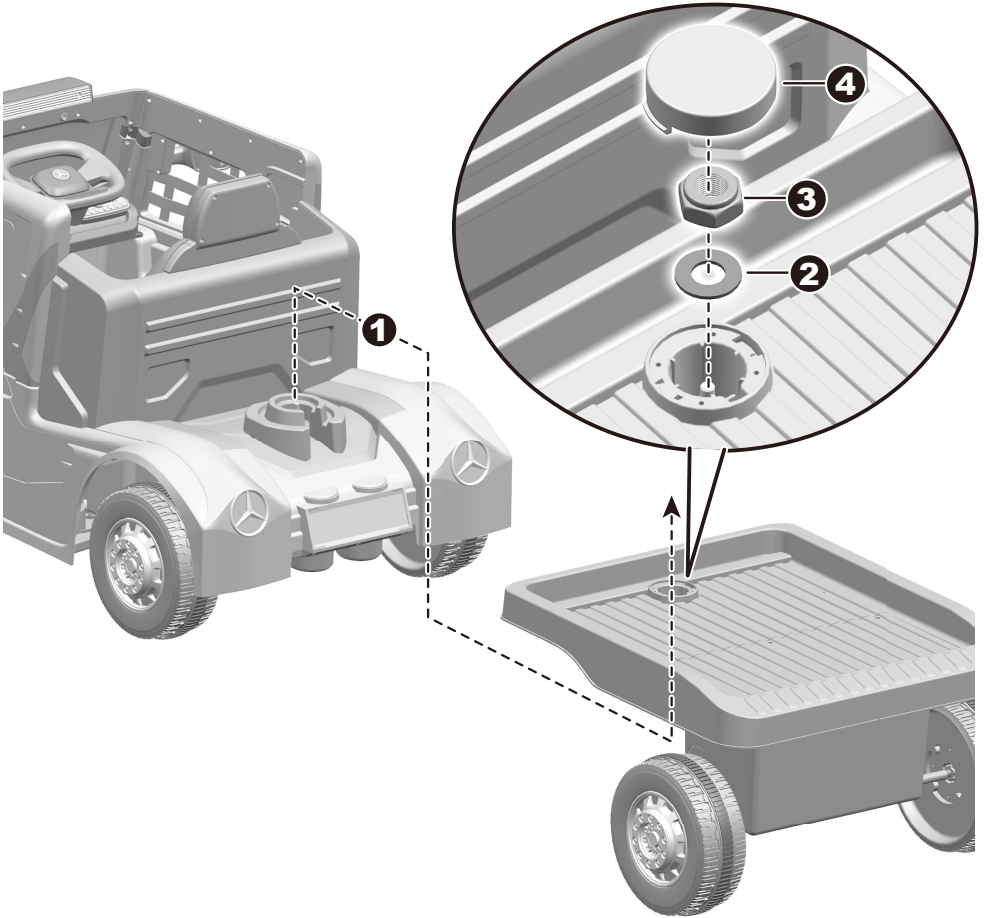


1. Turn the trailer upside down. Insert the rear axle through into the hole in the trailer.
2. Slide a  $\varnothing 12$  washer onto the rear axle.
3. Slide a bushing onto the rear axle.
4. Slide another  $\varnothing 12$  washer onto the wheel axle
5. Slide a normal wheel onto the rear axle.
6. Slide a  $\varnothing 10$  washer onto the rear axle.
7. Tighten a  $\varnothing 10$  lock nut to the end of the rear axle with a socket wrench.

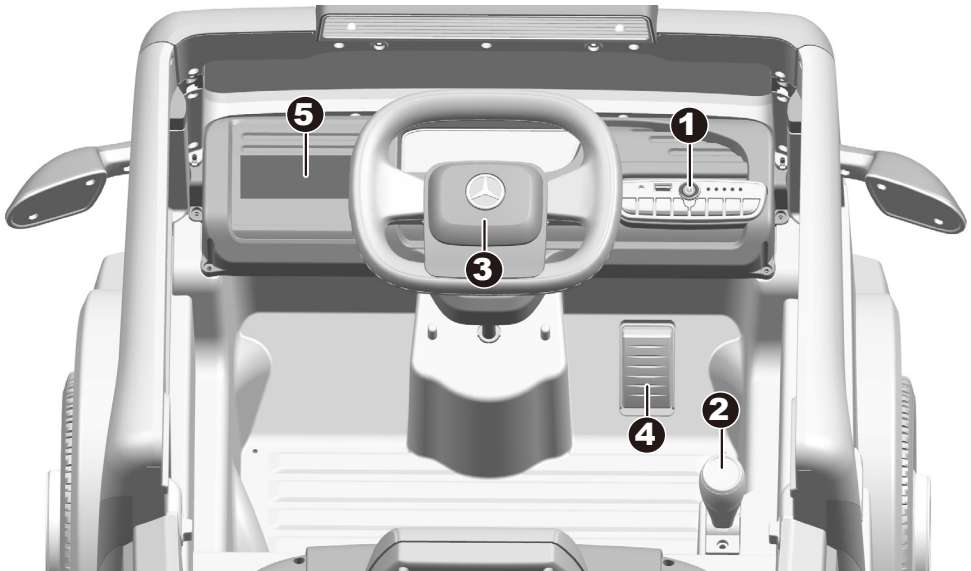
Repeat the steps 2-7 to assemble the other trailer wheel.

**TIP:** An extra socket wrench has been provided to hold the Lock Nut on the other side of the rear axle while tightening the Lock Nut on the other side.

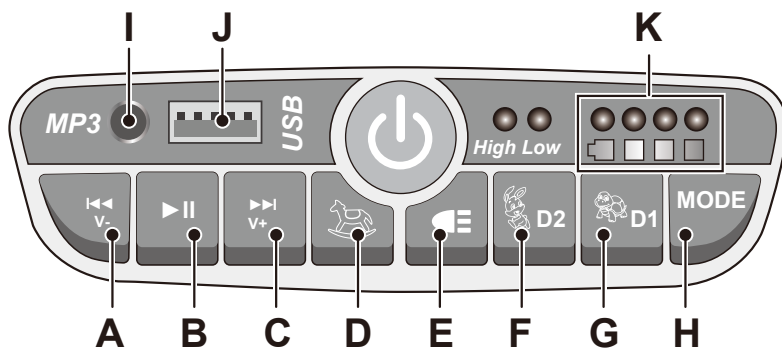
8. Insert a wheel cover to each trailer wheel.



1. Turn the trailer assembly upright. Fit the trailer assembly to the vehicle body.
2. Slide a  $\varnothing 8$  washer onto the rear axle.
3. Tighten a  $\varnothing 8$  lock nut to the end of the rear axle with a socket wrench.
4. Fit the trailer cover to the top of the trailer assembly, push it until you hear it “click” into place.



- 1. Power button:** Turn the product on and off.
- 2. Forward/Stop/Reverse lever:** Changes the direction that product moves from forward to reverse.
  - To move the product forward, shift the lever to top position.
  - To move the product backward, shift the lever to down position.
  - Shift the lever to middle position, the product will not move.
- 3. Sound button:** Press for sound or horn playing.
- 4. Throttle pedal:** Applies power (speed) to the product.
  - To move the product, press the pedal down.
  - To brake or slow down, release pressure from the pedal.
- 5. Mp4 (if equipped)**



**A. Previous / Volume -**

**B. Play / Pause**

**C. Next / Volume +**

**D. Rocking button:** Turn rocking mode on and off. Product cannot move under this mode.

**E. Lights button:** Turns the lights on and off.

**F. High speed button:** Operates the product to move in high speed.

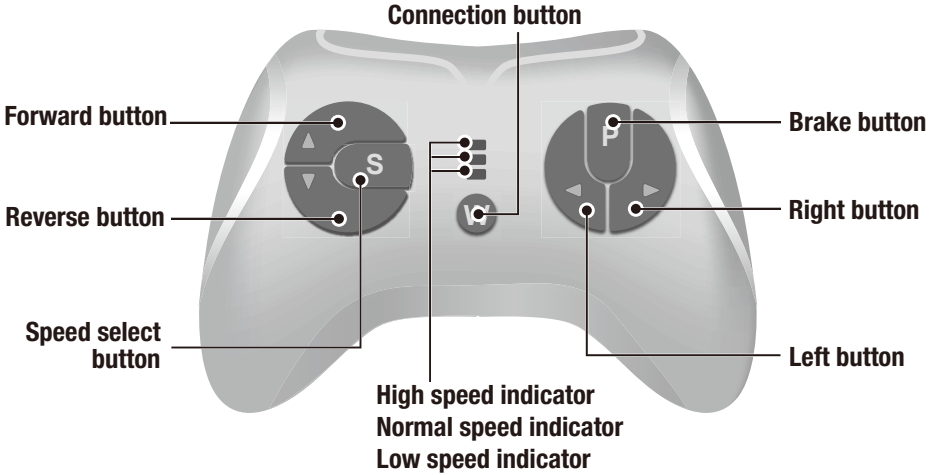
**G. Low speed button:** Operates the product to move in low speed.

**H. Mode button:** Change audio input

**I. Mp3 input.**

**J. USB input.**

**K. Digital voltmeter:** It displays the power level of the battery when the product is stop.



## Insert the batteries of controller

Lift the battery compartment door on the back of the controller and insert two AAA(LR03) batteries.

**HINT: Batteries not included. Refer to the Battery Information on the page 1.**

### 1. Build connection

Press the Connection button for 2 seconds, the status indicator flashes, then turn on the power switch located on the the vehicle dash, when the status indicator turns off about 2 seconds and turns into long bright, means the connection successful. If the status indicator makes no response, means the connection failed. Replace the batteries and try again.

### 2. Brake button

Press the button to stop the vehicle, press it again to release the brake.

### 3. Speed select button

The switch operates the vehicle to move in low, normal or high speed.

**HINT:** This switch won't work while your vehicle moves reverse.

## NOTE:

- Leave the remote controller idling for about 10 seconds, it will shut down automatically.
- Rebuild connection when you replace the batteries of the remote controller.



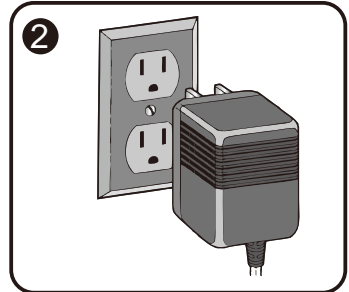
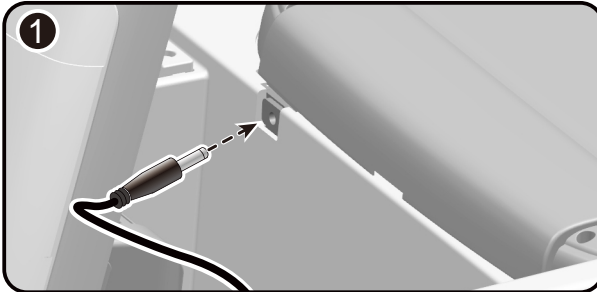
**WARNING!**

**ONLY AN ADULT CAN CHARGE AND RECHARGE THE BATTERY!**

**WARNING!**

This product with **Charging Protection**: when charging, all functions will be cut off!  
Only an adult can charge and recharge the battery!

- The POWER SWITCH must be turned in OFF position when charging.
- Before the first use, you should charge the battery for 4-6 hours. Do not recharge the battery for more than 10 hours to avoid overheating the charger.
- When the vehicle begins to run slowly, recharge the battery.
- After each use or once a month minimum recharge time as 8 to 12 hours, less than 20 hours at most.
- Use the only rechargeable battery and charger supplied with your vehicle. NEVER substitute the battery or the charger with another brand. Using another battery or charger may cause a fire or explosion.
- Do not use the battery or charger for any other product.

**How to charge the battery**

1. Plug the charger port into the charger socket on the battery.
2. Plug the charger plug into a wall outlet. The battery will begin charging.

Problem	Possible Cause	Solution
Vehicle does not run	Battery low on power	Recharge battery.
	Thermal fuse has tripped	Reset fuse, see <Fuse>
	Battery connector or wires are loose	Check that the battery connectors are firmly plugged into each other. If wires are loose around the motor <b>contact your distributor please.</b>
	Battery is dead	Replace battery, <b>contact your distributor please.</b>
	Electrical system is damaged	<b>Contact your distributor please.</b>
	Motor is damaged	<b>Contact your distributor please.</b>
Vehicle does not run very long	Battery is under charged	Check that the battery connectors are firmly plugged into each other when recharging
	Battery is old	Replace battery, <b>contact your distributor please.</b>
Vehicle runs sluggishly	Battery low on power	Recharge battery, <b>contact your distributor please.</b>
	Battery is old	Replace battery, <b>contact your distributor please.</b>
	Vehicle is overload	Reduce weight on vehicle.
	Vehicle is being used in harsh conditions	Avoid using vehicle in harsh conditions ,see <Safety>.
Vehicle needs a push to go forward	Poor contact of wires or Connectors	Check that the battery connectors are firmly plugged into each other. If wires are loose around the motor, <b>contact your distributor please.</b>
	“Dead Spot” on motor	A dead spot means the electric power is not being delivered to the terminal connection and the vehicle needs repair. <b>Contact your distributor please.</b>
Difficult shifting from forward to reverse or vice-versa	Attempting to shift while the vehicle is motion	Completely stop the vehicle and shift, see <Use Your New Vehicle>
Loud grinding or clicking noises coming from motor or gear box	Motor or gears are damaged	<b>Contact your distributor please.</b>
Battery will not recharge	Battery connector or adapter connector is loose	Check that the battery connectors are firmly plugged into each other.
	Charger not plugged in	Check that the battery charger is plugged into a working wall outlet.
	Charger is not working	<b>Contact your distributor please.</b>
Charger feels warm when recharging	This is normal and not a cause for concern	

Completely read through this manual and the troubleshooting guide table before calling. If you still need help resolving the problem **Contact your distributor please.**

- It is parents' responsibility to check main parts of the toy before using, must regularly examine for potential hazard, such as the battery, charge, cable or cord, plug, screws are fastening enclosure of other parts and that in the event of such damage, the toy must not be used until that damage had been properly removed.
- Make sure the plastic parts of the vehicle are not cracked or broken.
- Occasionally use a lightweight oil to lubricate moving parts such as wheels.
- Park the vehicle indoors or cover it with a tarp to protect it from wet weather.
- Keep the vehicle away from sources of heat, such as stoves and heaters. Plastic parts may melt.
- Recharge the battery after each use. Only an adult can handle the battery. Recharge the battery at least once a month when the vehicle Raider is not being used.
- Do not wash the vehicle with a hose. Do not wash the vehicle with soap and water. Do not drive the vehicle in rainy or snowy weather. Water will damage the motor, electric system and battery.
- Clean the vehicle with a soft, dry cloth. To restore shine to plastic parts, use a non-wax furniture polish. Do not use car wax. Do not use abrasive cleaners.
- Do not drive the vehicle in loose dirt, sand or fine gravel which could damage the moving parts, motors or the electric system.
- When not using, all the electrical source should be turn off. Turn off the power switch and disconnect the battery connection.

The battery features a thermal fuse with a reset fuse that will automatically trip and cut all power to the vehicle if the motor, electric system or battery is overloaded. The fuse will reset and power will be restored after the unit is turned OFF for 20 seconds and then turned ON again. If the thermal fuse trips repeatedly during normal use, the vehicle may need repair. Contact your distributor please.

To avoid losing power, follow these guidelines:

- Do not overload the vehicle.
- Do not tow anything behind the vehicle.
- Do not drive up steep slopes.
- Do not drive into fixed objects, which may cause the wheels to spin, causing the motor to overheat.
- Do not drive in very hot weather, components may overheat.
- Do not allow water or other liquids to come in contact with the battery or other electric components.
- Do not tamper with the electric system. Doing so may create a short, causing the fuse to trip.

Our products are suitable for ASTM F963; GB6675; EN71 and EN62115 standard.

## Disposal Of Battery



- Your sealed lead-acid battery must be recycled or disposed of in an environmentally sound manner.
- Do not dispose of your lead-acid battery in a fire. The battery may explode or leak.
- Do not dispose of a lead-acid battery in your regular, household trash. The incineration, land filling or mixing of sealed lead-acid batteries with household trash is prohibited by law.