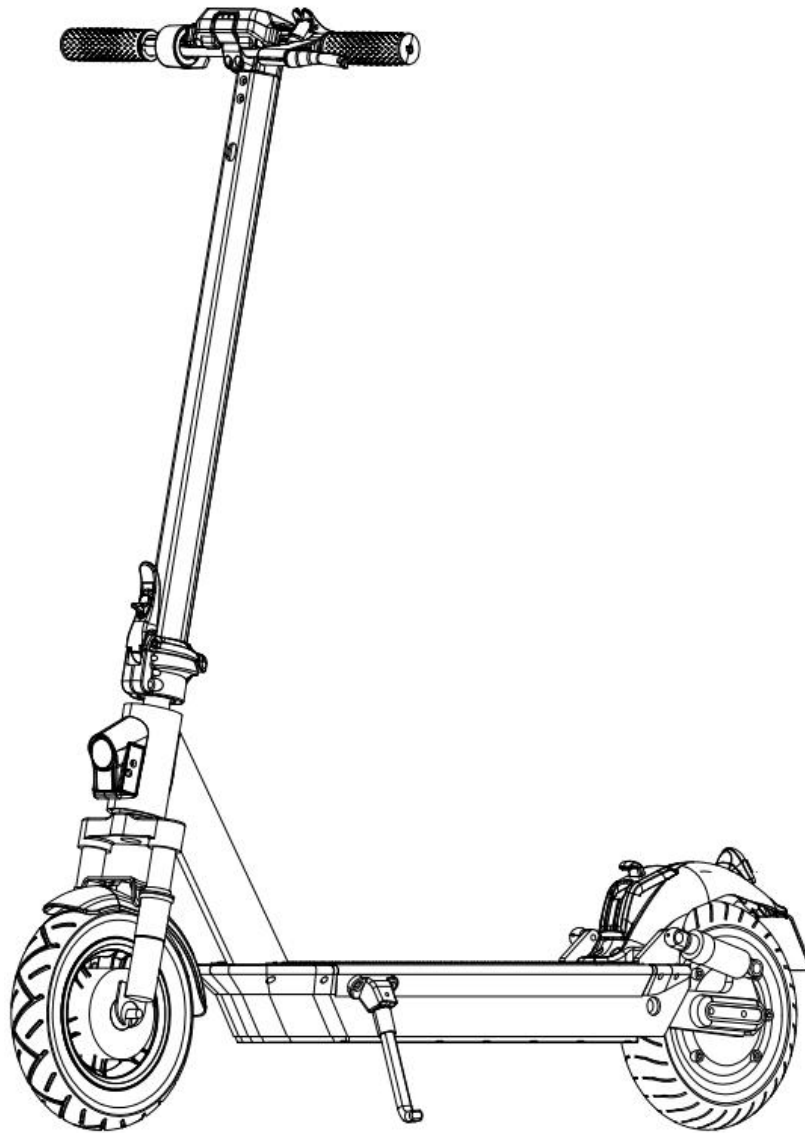


NICROX OR 500

User Manual

Folding Electric Scooter



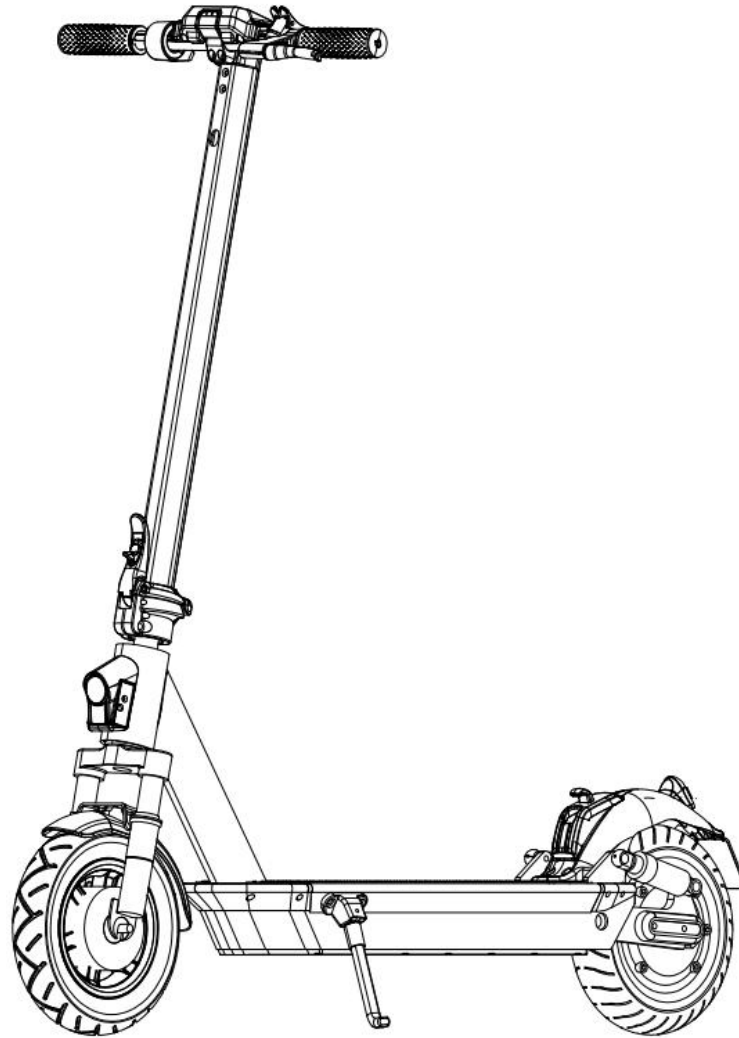
Thanks for choosing our product. Have fun with this electric scooter.

Contents

1. The Device& Accessories	02
2. Functions	03
3. Assembling	04
4. Charging	05
5. Driving Instructions.....	05
6. Safety Recommendations	07
7. Folding & Transportation	09
8. Daily Maintenance and Storage.....	10
9.Remove Inner and Outer Tires.....	12
10.Specifications	13

1 The Device & Accessories

Vehicle



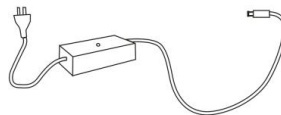
Accessories



Screws x 4



Hex Wrench

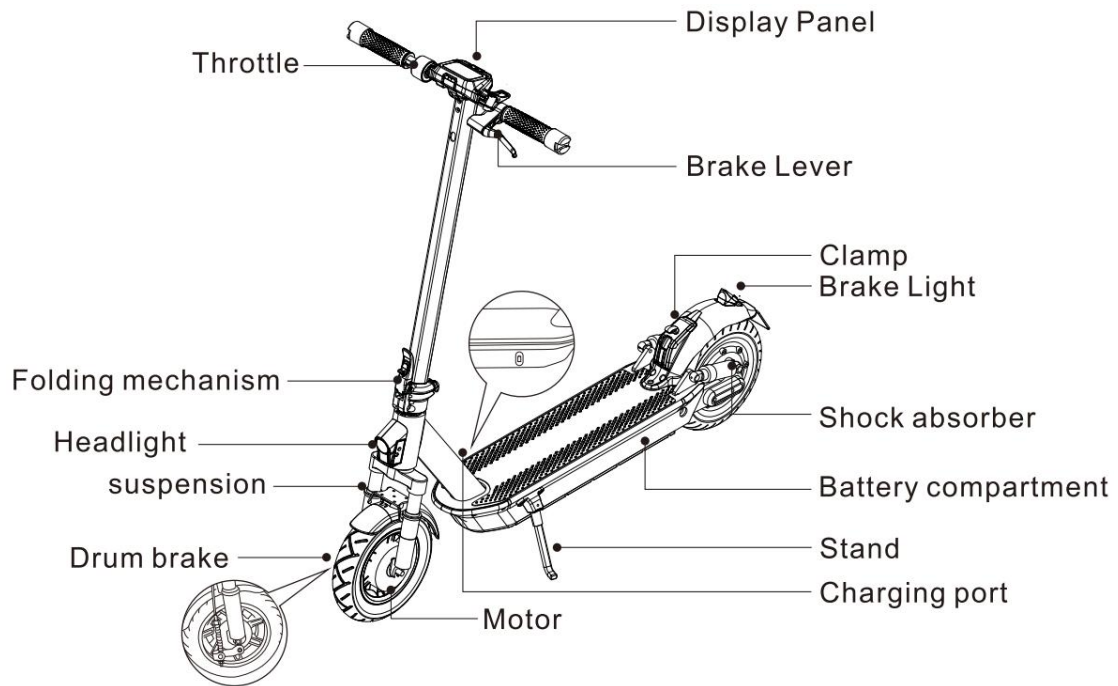


Charging Adapter x 1

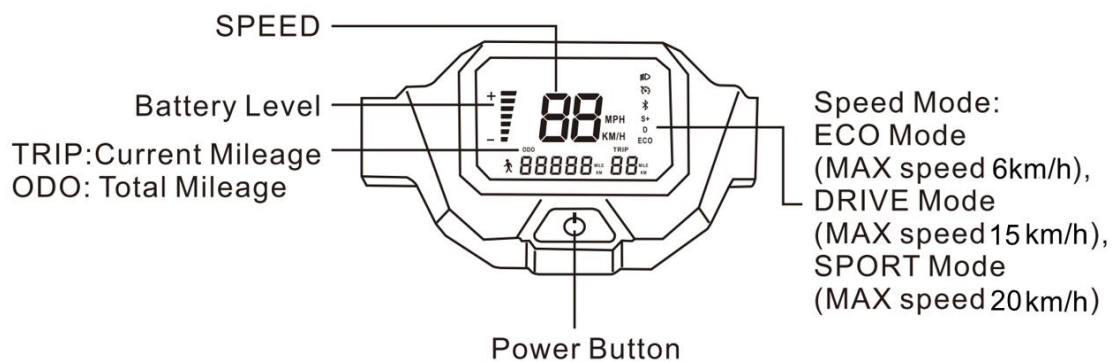
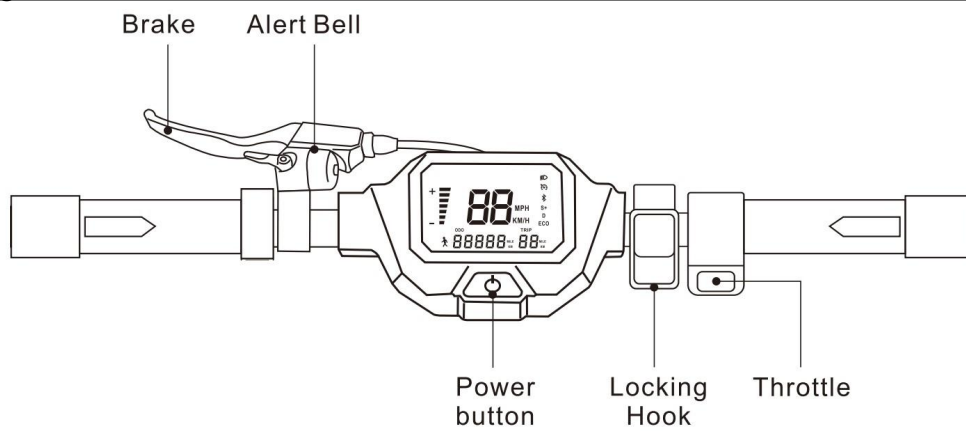


Gas-filled extension tube

2 Functions



Getting Started



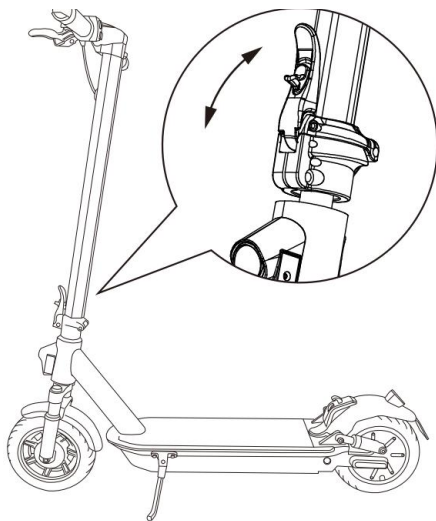
1. **Turn on/off:** Press and hold the power button for 3 seconds to turn the scooter on/off.
2. **How to turn on/off the light:** With the scooter turned on, press the power button once to turn the light on, press again to turn the light off .
3. To select the speed gear, quick press the power button twice. The different gears with their corresponding speeds are listed in the table as below:

Speed gear	Speed range
ECO	0-6 km/h
D	7-15km/h
S	16-20km/h

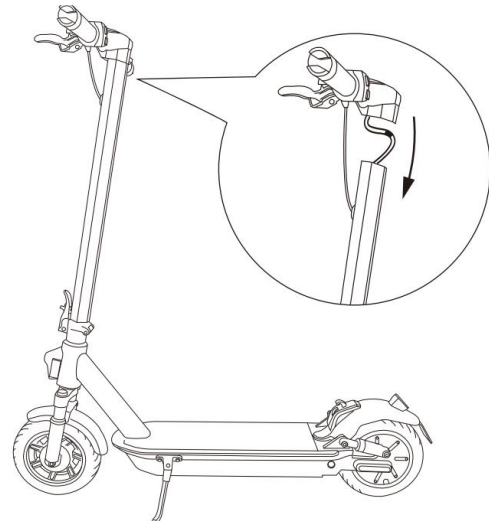
4. Battery indicator: there is total 4 LEDs, indicating a level of battery. When the scooter is fully charged, all 4LEDs are lit. Pls charge the scooter immediately if only 2 LEDs are lit.
5. Press the brake lever, the brake light will flashing.
6. Auto cruise control: Speed Cruise activated automatically after keeping the same speed for 10 seconds, then you can release the throttle; press brake lever or press again the throttle, scooter returns back to manual mode.
7. Auto Power off: After 10mins without any operation, it will be powered off automatically.

3 Assembling

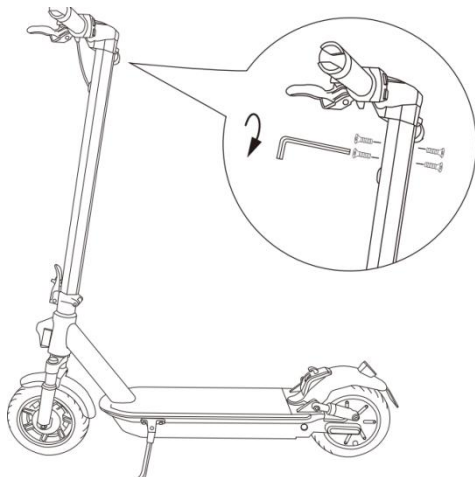
- 1) Pull up the handle bar stem and lock lever into place. Then put the kickstand down(Be careful with the handlebar).



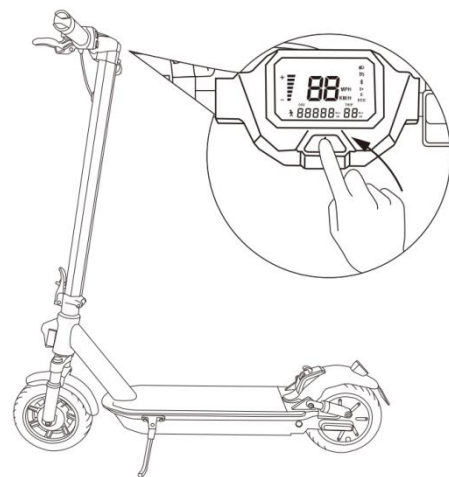
- 2) Install the handlebar on the stem taking care not to snag cables.



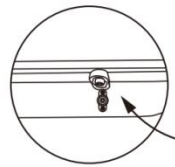
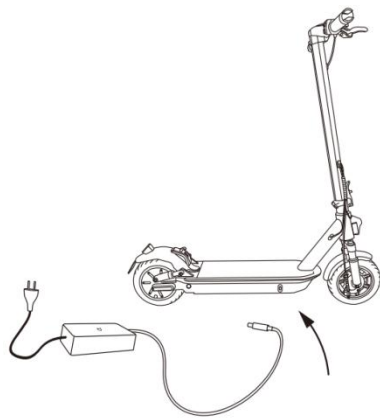
- 3) Use the screws and hex wrench provided to secure the handlebar.



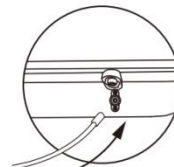
- 4) After finishing, turn on the product to make sure everything works.



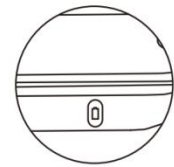
4 Charging scooter



Open the cover



Connect the charger

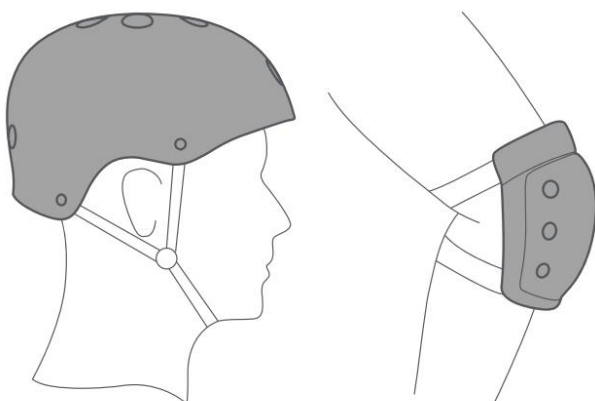


Close the cover

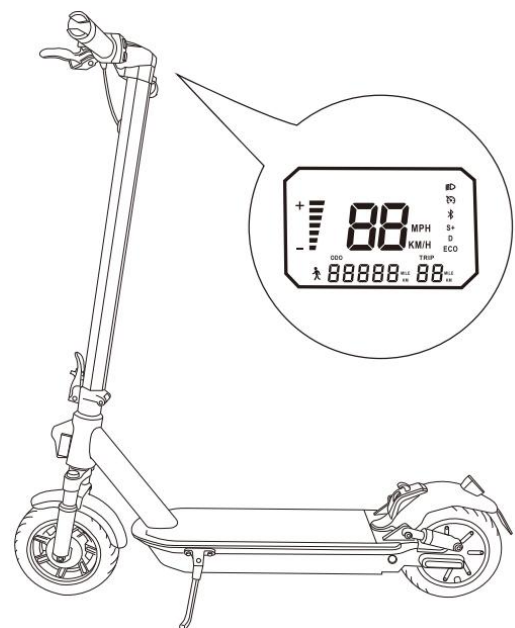
ATTENTION: The red light on the power supply will turn green when charging is complete.

5 Driving Instructions

1. Wear helmets and knee pads in case of falls and injuries when you learn to ride the scooter.



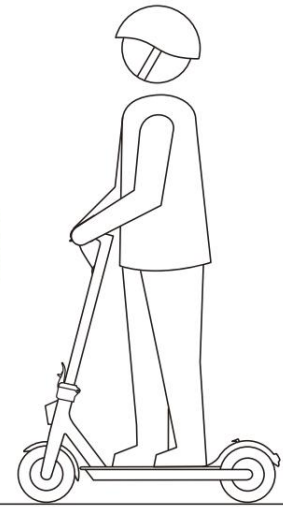
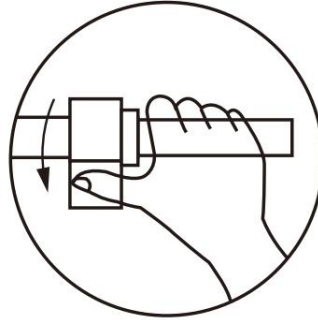
2. Turn on the scooter, and check the battery indicator.



3. Stand on pedal with one leg, hit the ground with the other leg.

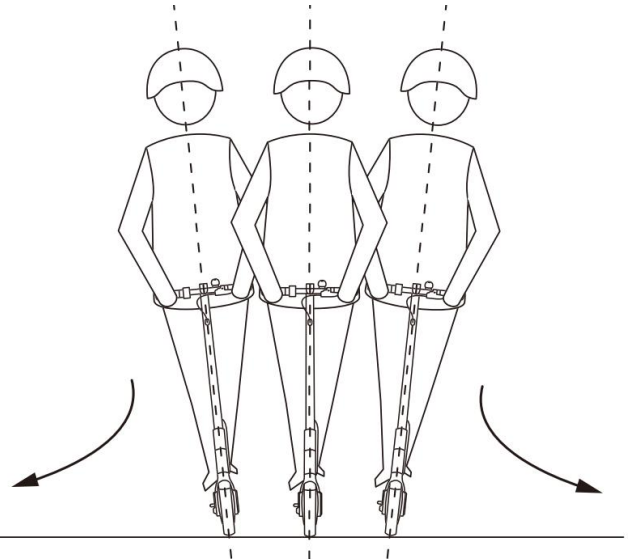
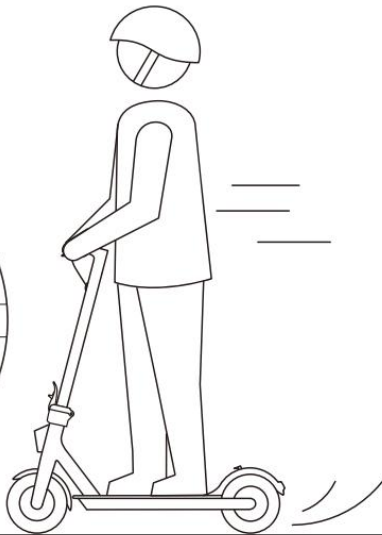
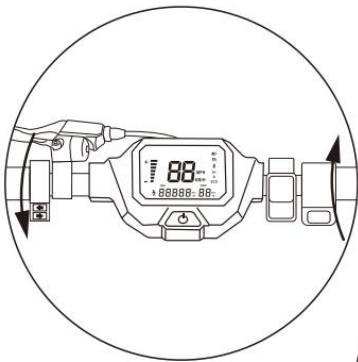
5

4. Step on the other leg when the scooter is moving, then press the throttle (only accelerate when the scooter speed is beyond 3km/h) .



5. Loose the throttle when slow down. Energy recovery systems will open itself to slow down. Press the left disc brake lever tightly if want to brake urgently.

6. Lean your body left slightly to turn left, lean your body right slightly to turn right. And turn the handlebar slowly.



6 Safety Instructions



Avoid safety hazards

- 1 It is not recommended driving on the rain.
- 2 It is recommend to slightly bend knees to better adjust to a rough road.If you are travelling on a rough road,stick to low speed (5-10km/h).
- 3 Entering into any room, elevator, etc. Be careful not be injured by a door frame.
- 4 Please not add speed when descending a hill.
- 5 While walking with a scooter, do not press the throttle.
- 6 When driving it is recommended to go around various obstacles on a road.
7. Please do not hang backpacks and other heavy objects on handle bars ground.



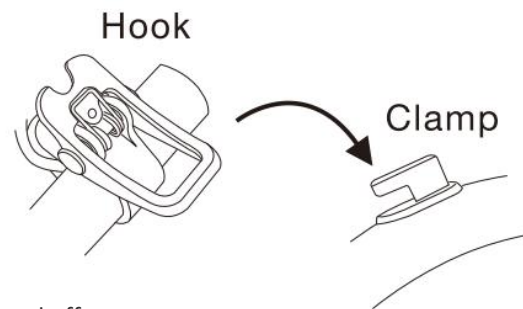
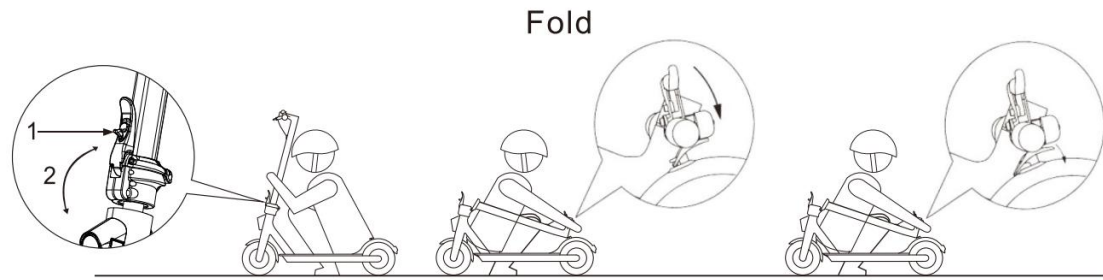
Preventing dangerous driving

- 1 It is forbidden to leave a scooter on a scooter wheel at high roadway for motor vehicles or ride in at a high speed.
- 2 It is forbidden to sharply turn a residential area with a large flow of passers-by.
- 3 It is forbidden to drive through puddles, to which exceeds depth of 2cm.
- 4 Never rider a scooter more than or one person, hold a child in your arms.
- 5 Do not tread the back of the fender.
- 6 Do not touch the disc brake.
- 7 Do not driving leaving your hands.
- 8 Do not riding electric scooter up, down steps or jump over obstacles.

Safety Recommendations

- 1) Electric scooter - it is only a device for entertainment, not vehicle. But once you driving to public area, the electric scooter brings certain risks for your safety. For the sake of your safety and others safety, you must strictly follow the instructions, outlined in this driving manual .
- 2) You should understand that is you ride a scooter in a public place, you must comply with all recommendations for safety. Also do not forget that there is a possible of collision, due to violation of pedestrians or vehicles traffic rules , there is also a risk of injury , due to improper operation of the unit. As in other types of vehicles, the higher a speed of electric scooter, the greater a braking distance. On some smooth road emergency braking may cause skidding of scooter, loss of balance and even fall. Therefore, during moving of scooter you need to be vigilant, to adhere to an appropriate speed, keep a safe distance from pedestrians and / or with other vehicles. Riding on unfamiliar terrain, keep vigilance and appropriate speed.
- 3) While riding scooter, respect rights of pedestrians. Do not scare them, especially children. Reduce speed passing by them. If you are moving in the same direction with pedestrians, try to stick to the left side as much as possible(for right-hand traffic countries). If you are moving in the opposite direction, stick to the right and slow down.
- 4) Please strictly following your country road rules to driving, and also strictly abide by rules, set out in the instructions and safety recommendations. Violation of the above rules may result financial expenses, personal injury, occurrence of traffic accidents, legal disputes, conflict and other unpleasant situations. Our company does not bear any direct or joint and several liability.
- 5) To avoid personal injury, do not loan electric scooter to others whom do not know how to drive. Please spend a training before you transfer your scooter to friends, as well as teach he(her) must be wear the proper safety gear.
- 6) Please do inspect scooter carefully before each use.If you find shattered parts, battery life has decreased obviously, tires leak air or there are signs of excessive wear, uncharacteristic sounds when turning or other abnormal symptoms, please discontinue use of the scooter immediately , don't drive it reluctantly.

7 Fold and Transportation

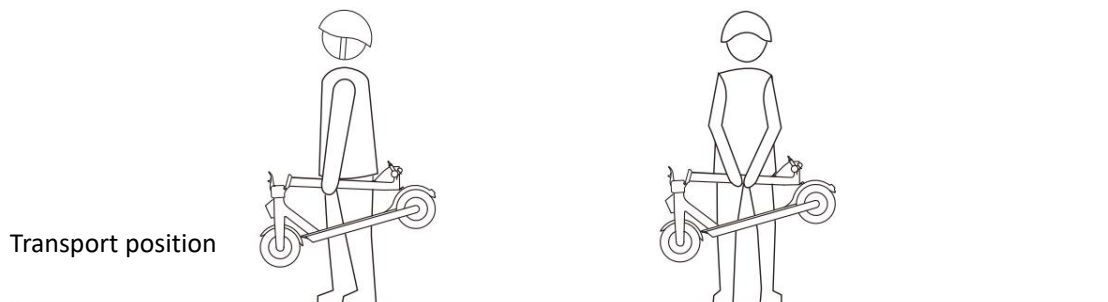


Make sure scooter is turned off.

To fold, you need to push upwards on the small button (1) highlighted in the diagram above and at the same time pull the larger lever (2) towards you. This will release the locking mechanism. Then bend the handlebar stem to hook the clamp on the rear fender.

To open, press the hook located on the handlebar, then lift the handlebar stem up to a vertical position and lock the folding mechanism.

Transportation



Always carry your scooter with one or both hands from the handlebar stem.



Portable rear fenders are prohibited for handling

8 Daily Maintenance and Storage

Clean and store Electric Scooter

If you find any stains on electric scooter housing, use a soft,damp cloth to wipe the vehicle; You can use toothpaste and a toothbrush to clean the scooter from stains, and then wipe it clean with a damp cloth. If you find scratched on parts, made of plastic, use sandpaper or other grinding materials for their polishing.

Warning: Do not use alcohol, petrol,kerosene or other corrosive solutions, volatile chemical solvents to clean the vehicle. Otherwise, it will cause serious damage to the scooter body and can disrupt a structure of internal elements. Do not wash electric scooter under a strong pressure of the water, make sure the scooter in the off status. In addition, after charging of the vehicle, it is necessary to insert a plug back to a charging connector,otherwise you may get an electric shock, or may have serious water damage cause from water falling into this hole ,may have serious water damage.

If you do not use the scooter, store it in a dry, cool place and do not leave the unit for a long time on the street.Leaving the device under the sun/in extremely high temperature/over-low temperature can cause rapid aging of an outer body and wheels of Electric Scooter or reduce battery life.

Maintenance of Electric Scooter battery

- 1) Do not use batteries from other brands in order to avoid a dangerous situation;
- 2) Do not open or disassemble the battery to prevent electric shock.Avoid contact with metal objects to prevent an occurrence of a short circuit. Otherwise,the battery may have malfunction or can injure the user;
- 3) It is recommended to use an AC adapter,that comes in original configuration of the device,to prevent an occurrence of an accident or fire of the vehicle;
- 4) Improper disposal of used batteries and accumulators is the cause of severe environmental pollution. Please dispose of batteries in accordance with local laws. Please do not dispose of batteries together with food waste. Protecting the environment together!
- 5) After each use of the device,charge the battery to prolong its service life.

Do not store the scooter battery in rooms with temperatures, that exceed 50°C or-20°C(for example, do not leave the battery of Electric Scooter and other batteries in cars in summer time on the hot sun), do not leave the battery near fire. As a result of these actions may deteriorate the battery, overheating and can even cause inflammation.

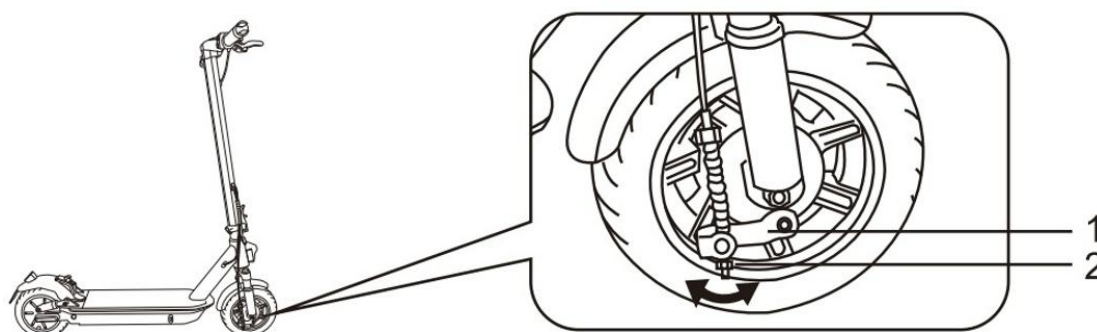
If within 30 days the scooter is not used, charge the battery and keep the device in a cool, dry place. Every 60 days you need to charge the battery, otherwise there is the likelihood of its failure, which is not subject to warranty services. Avoid a full discharge of the device,it will to extend battery life. When using the device at normal room temperature, the battery will be able to ride much greater distance and its performance will be better; but if you use the scooter at temperatures below 0C, vehicle performance and permeability decrease. At-20C a traveled distance is less, than the scooter in

the normal conditions of half or even less. If a temperature rises, a traveled distance by the vehicle will also increase. You can check remaining distance in the Application.

Note: A fully charge scooter runs about 120-180 days of standby time. The battery has a smart chip, that stores information about its charging-discharging. If you are not charging the battery for a long time, it can cause serious damage, for which it is impossible to charge the device again. This kind of damage is not included in free warranty service. (Caution: Do not disassemble the device by unauthorized people, as there is a risk of electric shock or serious injury as result of a short circuit.

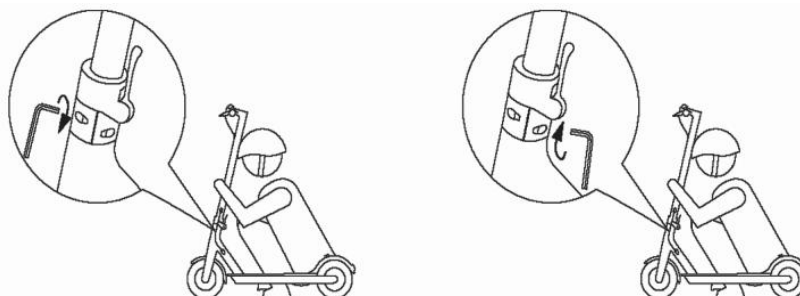
Adjusting the disc brake

If you need to adjust the brake, lift the bracket (1) as shown in the diagram below and then rotate the nut (2) in either direction. Turning the nut clockwise will loosen the brake and counter-clockwise will tighten the brake.



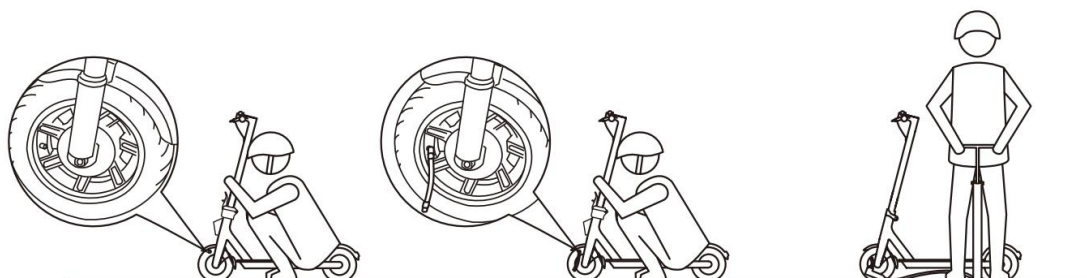
Adjusting the handle bar

If the handlebar and its stem sway during riding, use the supplied hex wrench to tighten the screws on the folding mechanism.



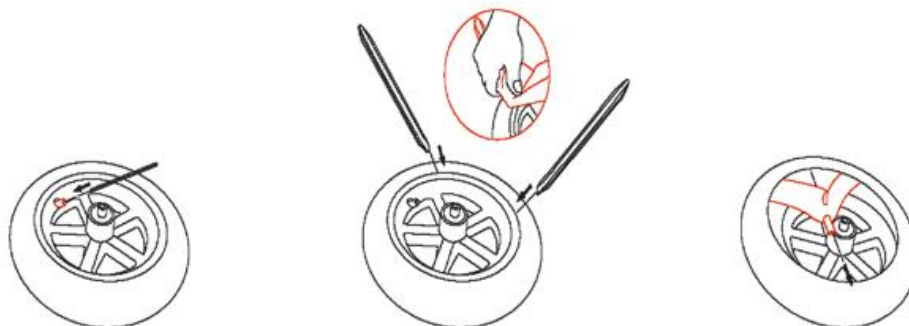
Using a connecting pipe to pump wheels

If the wheel of Electric Scooter deflated, connect a connecting pipe to a wheel nipple to pump it. First, remove the cap of pin, then tighten a fitting, and then you start to pump a wheel.



9 Remove the outer and inner tires

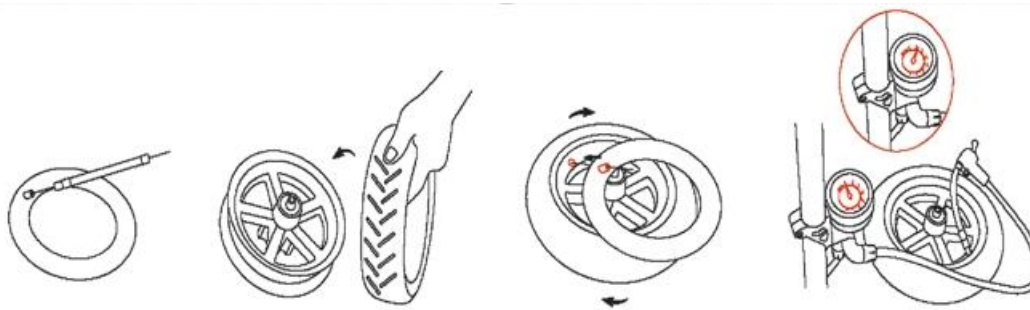
Note: Crowbars not included, and should be purchased separately.



1. Deflate the inner tire first. Use a tool to press the core rod in the air valve so that air is discharged from the inner tire, and use another hand to forcibly pinch the tire at different places to discharge more air.
2. Select a position far from the air valve on the outer tire, use two crowbars to prize up the outer tire by about 1/6 of the circumference, and forcibly separate one side of the outer tire from the hub.
3. Find the air valve, and pull the air valve out of the air valve hole of hub. To pull out the air valve more conveniently, hold the air valve of the inner tire, and pull the outer tire outwards slowly, lest the inner tire would be damaged. Remove the inner tire from the position of air valve in sequence, and separate the inner tire finally.

Note: Wrap the pointed end of the crowbar with fiber cloth so that it will not damage the inner tire and coating of the hub.

Install the outer and inner tires



1. Fill a small amount of air into the deflated inner tire till the inner tire is just bulged to look round.
2. Put the hub on the top of a desk. Pay attention to the direction when installing the outer tire. There is an arrow on the outer tire, and it must be consistent with the forward direction of the wheel. Use one hand to hold the hub, and use the other hand to insert one side of the outer tire in the hub groove.
3. Insert the air valve of the inner tire into the air valve hole. Insert the inner tire in the outer tire clockwise and in sequence. Make sure that the air valve does not tilt. Then, insert the other side of the outer tire in the hub groove. Finally use a crowbar to install the remaining tire lips in the hub groove. After installation, pinch the outer tire to check if the inner tire is pressed by the tire lips of outer tire.
4. Inflate the inner tire to 15-20 PSI, and check the safety lines at two sides of the outer tire. Make sure that the distances from the safety lines to the hub edge are consistent.
5. Finally inflate the inner tire to 45-50 PSI. Tighten the air valve cap. Then, the tire assembly is completed. Note: Wrap the pointed end of the crowbar with fiber cloth so that it will not damage the inner tire and coating of the hub.

10 Specifications

Operating parameters	Name	parameters
Dimensions	Unfold: Length x Width x Height	119*52*123cm
	Folded: Length x Width x Height	118*52*57cm
Weight	Net Weight	16.5kg
	Gross weight	18.5kg
Conditions	Max load	120kg
	Age	16-50 years old
	Height	120-200cm
Main Parameters	Max speed	20 km/h (varies according to soil and weight)
	Range	25-30km(varies according to soil, speed and weight)
	Maximum slope	About 11%
	Suitable area	Cement, asphalt and muddy roads, platforms less than 1cm, surface with cracks less than 2cm wide
	Operating temperature range	-10-40°C
	Temperature of storage	-20-45°C
	Waterproof level	IPX4
Battery Parameters	Rated voltages(VDC)	36V
	Max voltage of charging(VDC)	42V
	Rated power	280.8Wh
	Smart battery management system	Abnormal temperature management, short circuit, automatic back-up, over-voltage, double overload, double protection
Motor Parameters	Rated power	250W
Charger Parameters	Rated power	63W
	Rated input voltage(VAC)	100-240V
	Rated output voltage(VDC)	42V
	Rated current	1.5A
	Charging time(h)	About 5-6 hours



Made in China