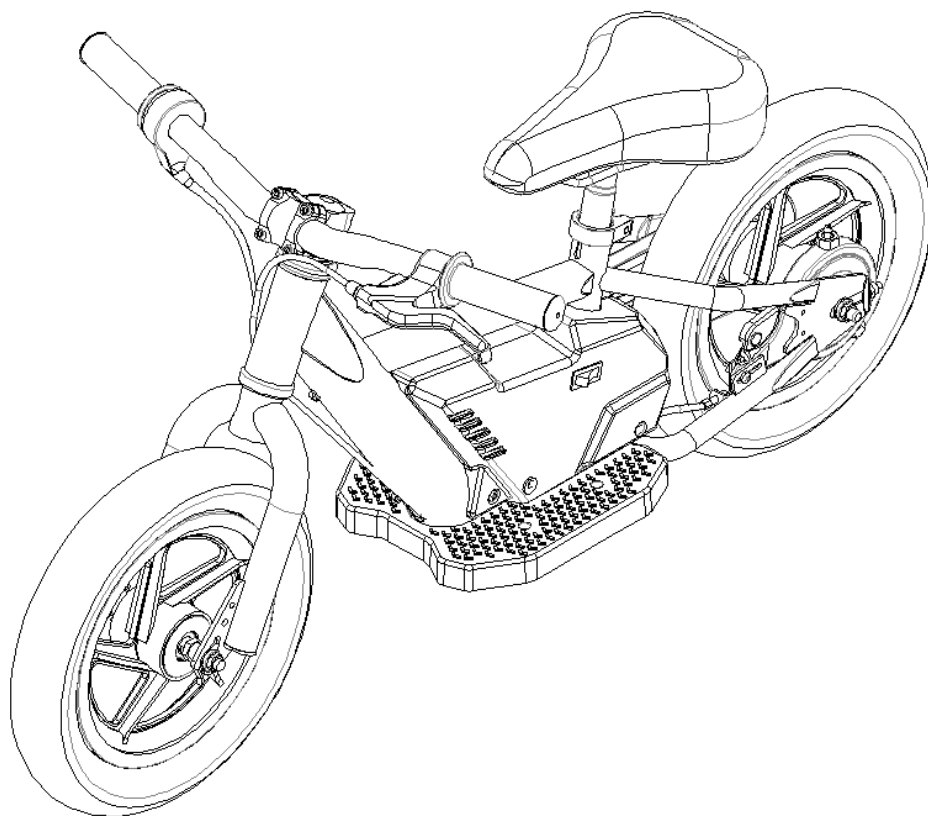


RULL.SE

User manual

Electric Balance Bike Nitrox Sprinter 12-16





Contents

1. Cautions
2. Vehicle structure
3. Bike Assembling
4. How to use.
5. Daily maintenance

Cautions

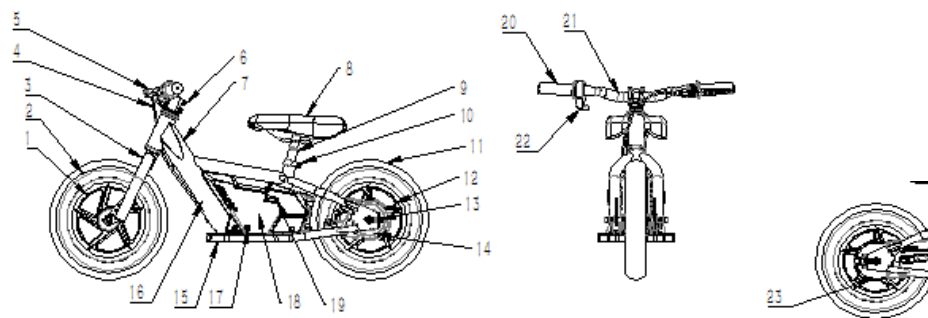
1. Note: the product pictures are for illustration purpose only. These pictures may not reflect the exact out looking of actual product. Specifications may change.

Before using the bike, please read the manual carefully and inspect whether the parts are in good conditions to ensure children and riding safety. If there is any problem, please contact the dealer immediately.

2. Children are required to use the bike under the supervision of parents or adults.

3. The bike should be parked in a dry and ventilated place. Do not rinse the bike with water. It is recommended to wipe it with a cloth.
 4. Please comply with local laws or regulations: Please slow down and increase the braking distance in rainy/ snowy weather or on slippery roads to sure the safety.
 5. Non-professional maintenance persons are prohibited from disassembling and replacing parts.
 6. The bike is forbidden to do stunt riding.
 7. Please inspect and sure all screws are tight before riding.
 8. The controller is equipped with an overload protection function. It will cut off the power automatically once overloaded. And when the power turns to normal, the power will turn on.
 9. If the bike does not react to throttle input despite being turned on, please turn it off to avoid component damage.
 10. Please turn off the power when you get down from the bike or when you are pushing it to prevent unintentional throttle input.
 11. Never operate the bike if side cover and chain cover are not installed.
- Do not allow hands, feet, body, clothing or other similar items to come in contact with any rotating or moving parts.

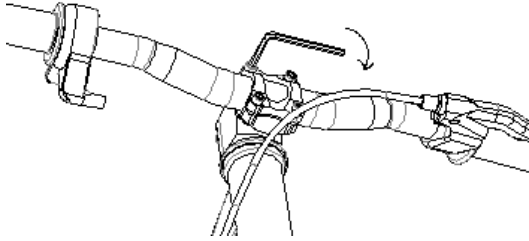
Vehicle Structure



- | | | | | | | |
|---------------------|--------------|-----------------------|--------------------|---------------------|----------------|----------|
| 1. Front wheel | 2. Tire | 3. Front fork | 4. Braking cable | 5. Left brake lever | 6. Stem | 7. Frame |
| 8. Saddle | 9. Seat post | 10. Seat post release | 11. Inner tube | 12. Rear wheel | 13. Adjustment | |
| 14. Rear drum brake | 15. Deck | 16. Battery | 17. Charger port | 18. Side cover | | |
| 19. On/off switch | 20. Grip | 21. Handlebar | 22. Thumb throttle | 23. Chain cover | | |

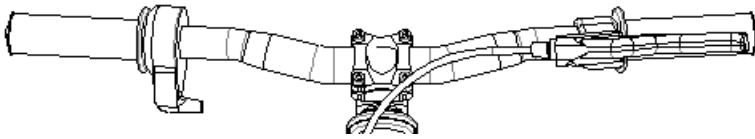
Bike Assembling

1. Please take out the bike from carton, remove the packing and fix the handlebar on the stem tightly with a hex wrench.

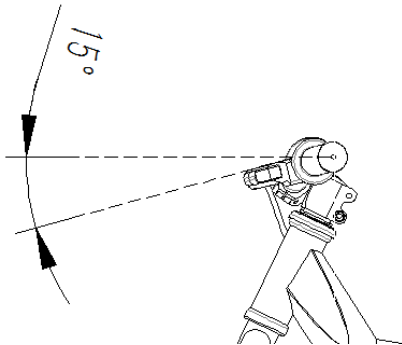


2. Installation requirements

2.1 Handlebar needs to be symmetrical

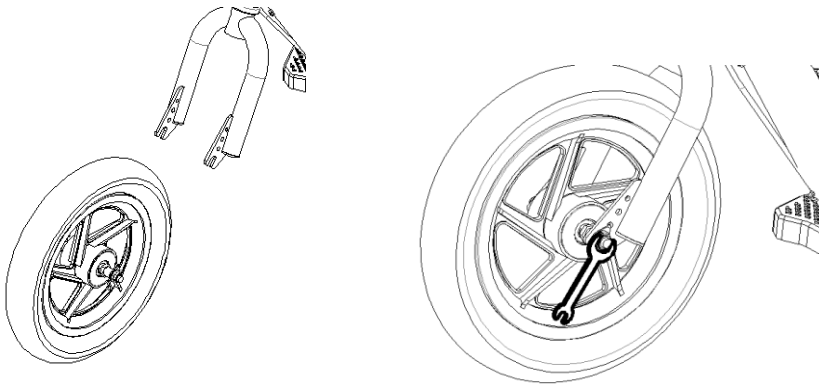


2.2 Correct the horizontal angle, the brake level is about 15° horizontally



3. Front wheel installation

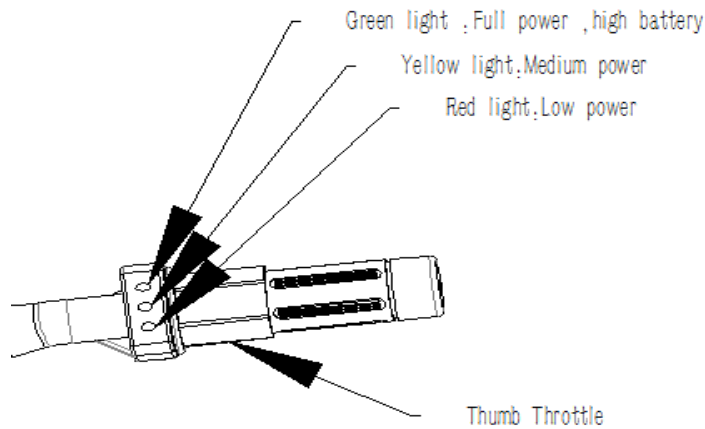
3.1 Take the front wheel assembly from the packing box and place the front wheel into the front fork as shown in the figure.



3.2 Lock the left and right nuts of the front wheel with a 15# wrench and check whether the front wheel is rotating flexibly.

How to use

1. Please wear personal protective equipment, like helmet, protective glass, sneaker, glove, elbow pad, knee pad etc.
2. Throttle/Display instruction.



Power On/Off switch



3. Press power switch button "ON" , battery indicator light is On
Press power switch button "OFF" , battery indicator light is Off

4. Use the finger to push the throttle to control the power

5. Speed conversion instructions

In order to protect children and prevent riding speed from being too fast, the figure below shows the controller plug-in connection speed limit line. The plug-in speed limit line is disconnected and turned on to realize two speed modes.

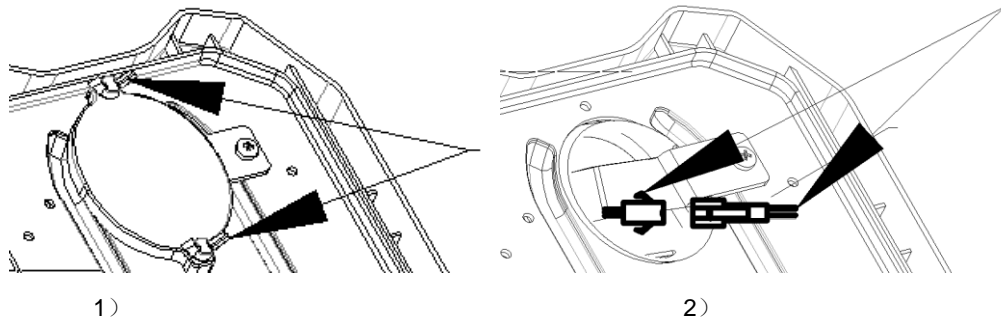
Mode 1. The speed limit line is disconnected. the bike speed is 13km/h for 12 inch tire bicycle, and 16km/h for 16 inch tire bicycle.

Mode 2. The speed limit line is connected, the bike speed is 8km/h for 12 inch tire bicycle, and 10km/h for 16 inch tire bicycle.

The operation of this speed change switch requires an adult to operate.

6. Detail operate process

- 1) Unscrew the two screws at the bottom of the frame and remove the battery cover.
- 2) Find the speed limit line at the bottom of the frame to insert or remove to change the speed.
- 3) Open the power switch, push the throttle to check whether the speed changes or not.



7. Start-up process: sit, push, push the throttle, brake, practice (Please wear personal protect equipment in the open air or safe place under the supervision of an adult)

Unpowered training:

- 7.1 Turn off the power
- 7.2 Adjust the seat cushion position according to the height of the rider.
- 7.3 Use your feet on the ground to promote learning and balance.
- 7.4 Practice gliding and practice to control the turn.
- 7.5 Use the brakes to safely stop while maintaining balance.

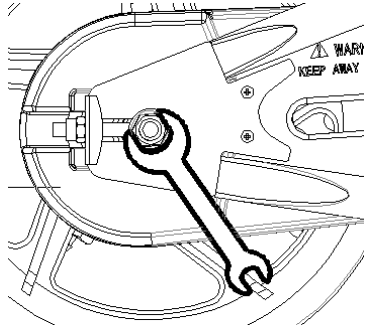
Electric mode:

- 7.6 Turn on the power switch.
- 7.7 Place your feet on the ground, let the rider slowly move forward and practice twisting the handle and slowly accelerate.
- 7.8 Let the rider practice opening and closing the switch and safely control the brake to stop.
- 7.9 When the rider is skillful in controlling the throttle and brake skills, place your feet on the pedals.
- 7.10 Please keep a safe distance between the rider and the obstacles. Pay attention to avoiding pedestrians and pay attention to controlling the speed.
- 7.11 Make sure to turn the bike off before dismounting.

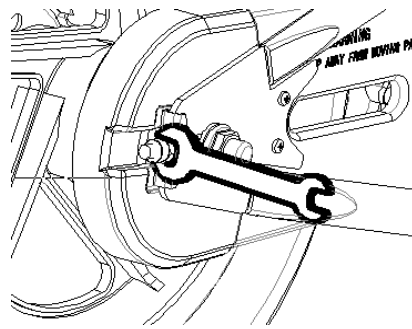
Daily maintenance

1. Chain loosening: adjust the jack screw to adjust the chain.

- 1) Loosen the nuts on both sides of the rear shaft with a 15# wrench.
- 2) Tighten the jack nut with a 10# wrench, check the tightness of the chain, press the middle part of the chain with your finger, the up and down movement amplitude of the chain is 10-12mm, then lock the nut at both ends of the rear shaft.

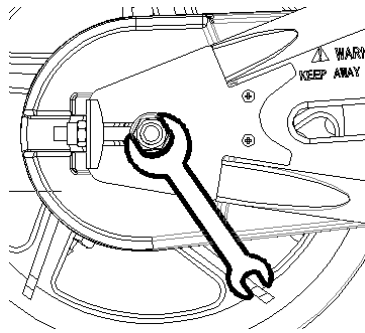


1)

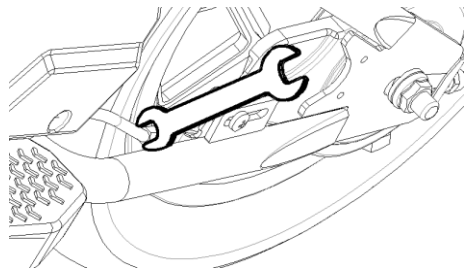


2)

2. After riding the bike for a period of time, if there is wheel lock or wobble, please fine-tune the wheel.

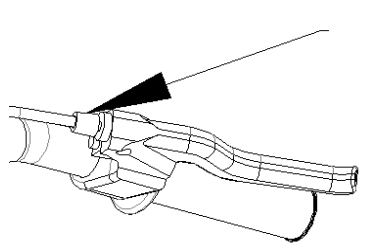


3. Braking performance adjustment: please fine-tune the brake.



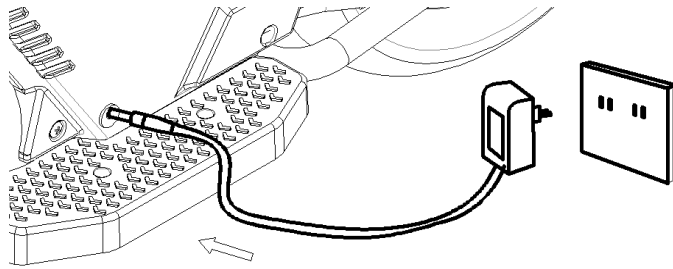
Fine-tune the brake nut.

Or fine-tune the braking nut on braking lever.

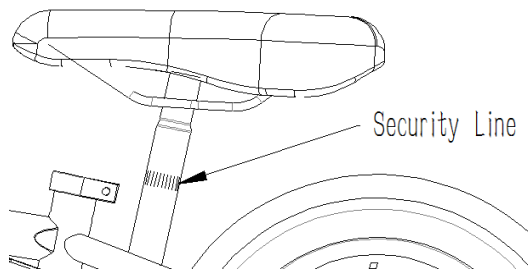


fine-tune the brake nut

4. charging battery: please open the waterproof cover of charging port, plug the charger DC head into charging port and fit the plug to the power supply.



5. Adjusting the saddle height: the seat post is prohibited from exceeding the security line.



6. Lubrication is an important part of the maintenance of electric balance bicycle. The front axle, rear axle and sprocket should be scrubbed every six months.

Maintenance Item	Maintenance cycle	Tools and Remark
Head parts set	One year	Grease
Front and rear axles	One yea	Grease
Chain	Six months	Lubricating oil
Battery	Two months	Recharge the battery every two months if long time storage
Tire pressure	One month	The tires should be inflated with compressor equipment if the air pressure is low

6.1 Do not drain the battery completely every time. When the speed is slow and when the display shows red light, please charge the battery, it can help increase the life cycle of the battery.

6.2 Please clean the bike regularly to ensure safe riding for children and also to help keep the bike in the best condition.

6.3 Please always check the performance of the brakes and ensure it's good.

Attention: please increase the braking distance in rainy/ snowy weather or downhill riding.

6.4 After each ending. please charge the battery to keep it in the best condition.

6.5 You should adjust the lock nut regularly on the front and rear wheels to prevent the wheels from locking or wobbling.

END